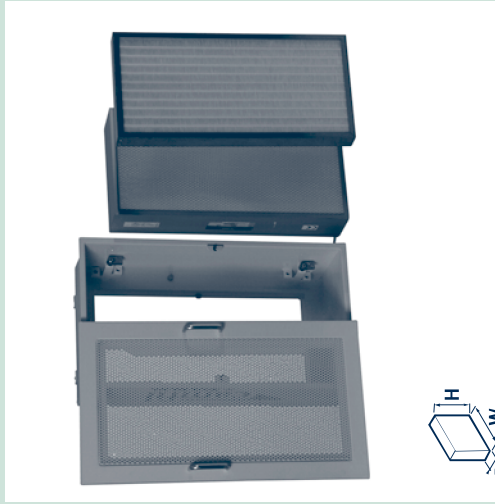


## Filter Housings and Systems



Ed. Jan. 2003

😊 **CAMFIL hints!** Pre filters in a variety of grades can be selected to better protect the HEPA filter. For maximum lifetime use extended surface pleated filters G4 to F7.



# SOFDISTRI – Return Air Housing (1 and 2 stage filtration)

## TWO STAGE VERSION

**Applications:** Return air for sensitive premises, operating theatres, powder workshops, P3/P4 labs, animal laboratories etc.

**Type:** Return air housing with two stage filtration.

**Grille:** Perforated steel grille with slide rail for mounting 50 mm prefilter and 2 handles.

**Maximum air flow:** 3P6: 300 to 1000 m<sup>3</sup>/h 6P6: 500 to 2000 m<sup>3</sup>/h.

**Construction:** Galvanised steel, fully welded seams, white epoxy paint, oven baked.

**Filter Type:** Pre-filter (50 mm) with seal G4 - F7

**Final filter:** ECOPLEAT (50 mm) F7, MEGALAM MD (66 mm), or MG (110 mm), H10, H14, U15.

**Filter Mounting:** Pre-filter: on a slide rail, independent of the final filter  
Final filter: pivoting clamps with compression limiter.

**Assembly:** Simple clips secure the grille.

**Connection:** By a drilled flange.

**Note:** Remember to order the housing, the grille and the filter.

5515.80.50	Sofdistri 2 stage return	housing 3P6 (painted)	697 x 392 x 260	8	0,07
5514.42.07	Sofdistri 2 stage return	grille 3P6 (painted)	704 x 399	4,5	0,02
5515.80.51	Sofdistri 2 stage return	housing 6P6 (painted)	697 x 697 x 260	10	0,13
5514.43.07	Sofdistri 2 stage return	grille 6P6 (painted)	704 x 704	6,5	0,04

*other dimensions and arrangements available on request*

## SINGLE STAGE VERSION

**Applications:** Return air applications.

**Type:** Return air housing with single stage filtration.

**Grid:** Perforated steel grille.

**Maximum air flow:** 3P6: 300 to 1000 m<sup>3</sup>/h 6P6: 500 to 2000 m<sup>3</sup>/h.

5515.80.44	Sofdistri 1 stage return	housing 3P6 (painted)	685 x 340 x 73	7	0,02
5515.80.61	Sofdistri 1 stage return	housing 6P6 (painted)	685 x 645 x 73	10	0,03

*Other dimensions and arrangements available on request*

**Construction:** Galvanised steel, fully welded seams, white epoxy paint, oven baked.

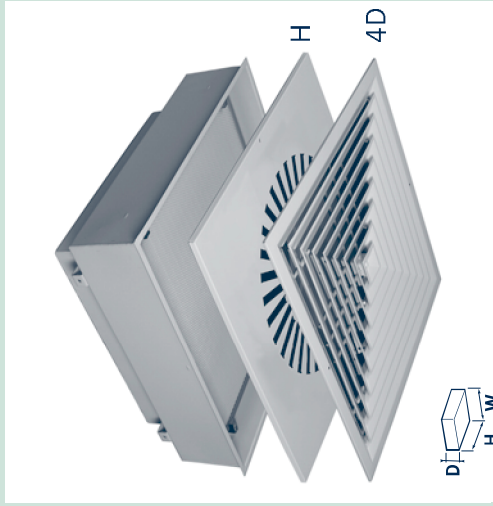
**Filter Type:** Pre-filter (50 mm) with seal G4 - F7.

**Assembly:** Simple clips secure the grille.

**Connection:** By a drilled flange.

**Note:** Remember to order the housing, the grille and the filter.

## Filter Housings and Systems



Ed. Jan. 2003



# SOFDISTRI – Induction Unit

## GRILLES

**Applications:** Clean rooms with turbulent air flow, class 10,000 to 100,000, operating theatres

**Grille:** Mild steel white epoxy paint oven baked finish.

4D: 4 way diffuser,

H: swirl diffuser

**Range of air volumes:** H: 6P6: 500 to 1000 m<sup>3</sup>/h  
4D: 6P6: 1000 to 2000 m<sup>3</sup>/h

5513.05.03	Sofdistri Grille	4D 6P6 (painted)	724 x 724	4,5	0,02
5513.06.03	Sofdistri Grille	H 6P6 (painted)	704 x 704	4,5	0,4

*Other dimensions and arrangements available on request*

## HOUSING

**Applications:** Clean rooms with turbulent air flow, class 10,000 to 100,000, operating theatres

**Type:** Terminal housing for HEPA/ULPA filters

**Construction:** Galvanised steel, fully welded seams, white epoxy paint, oven baked

**Filter Type:** MEGALAM MDA (66 mm), MXA (90 mm), MGA (110 mm)

**Filter Mounting:** Quick filter change using pivoting clamps fitted with compression limiter

**Connection:** 315 mm connection spigot located on the top of the unit

**Range of air volumes:** H: 6P6: 500 to 1000 m<sup>3</sup>/h 4D: 6P6: 1000 to 2000 m<sup>3</sup>/h

5507.03.60	Sofdistri Housing	housing 6P6 (painted)	717 x 717 x 315	14	0,20
------------	-------------------	-----------------------	-----------------	----	------

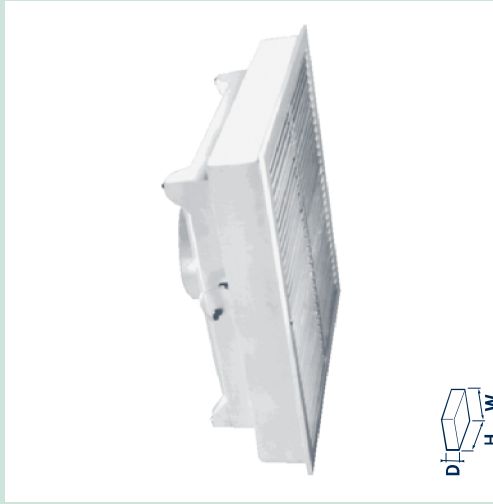
*Other dimensions and arrangements available on request*

Knowsley Park Way, Haslingden, Lancashire, BB4 4RS

Tel: +44 (0) 1706 238000, Fax: +44 (0) 1706 226736

83

## Filter Housings and Systems



Ed. Jan. 2003



## SOFDISTRI – Polyester Resin Unit

**Applications:** Clean areas in hospitals, pharmaceutical and food industries

**Type:** Terminal housing for HEPA/ULPA filters

**Construction:** One piece laminated moulded polyester resin

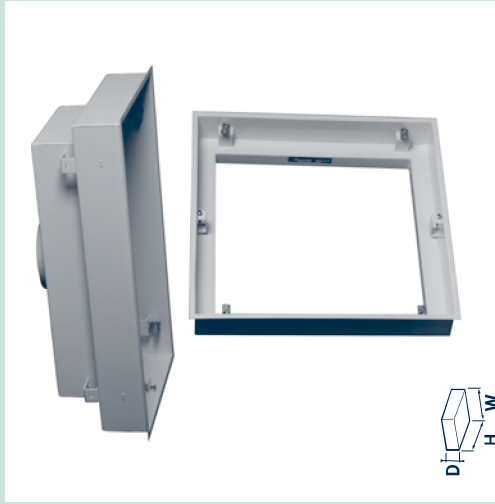
**Filter Type:** MEGALAM MDA, MDLA (66 mm)

**Filter Mounting:** Quick filter change using pivoting clamps fitted with compression limiter

**Connection:** Connection spigot located on the top of the unit

5516.01.00	Sofdistri Polyester housing 3P6 (polyester)	610 x 392 x 250	610 x 305 x 66	6	0,11
5516.02.00	Sofdistri Polyester housing 6P6 (polyester)	696 x 697 x 250	610 x 610 x 66	8	0,18
5516.03.00	Sofdistri Polyester housing 9P6 (polyester)	697 x 1002 x 250	610 x 915 x 66	12	0,25
5516.04.00	Sofdistri Polyester housing 12P6 (polyester)	697 x 1307 x 250	610 x 1220 x 66	17	0,33

# Filter Housings and Systems



Ed. Jan. 2003

☺ **CAMFIL hints!** Pre filters in a variety of grades can be selected to better protect the HEPA filter. For maximum lifetime use extended surface pleated filters G4 to F7



# SOFDISTRI - Terminal Filter Housing

## STANDARD VERSION

**Applications:** Clean areas with supply and extract systems

**Type:** Terminal housing for HEPA/ULPA filters

**Mounting:** Positions for attachment to supporting steelwork

**Construction:** Galvanised steel, fully welded seams, white epoxy paint, oven baked

**Filter Type:** MEGALAM MD HEPA and ULPA

**Filter Mounting:** Quick filter change using pivoting clamps fitted with compression limiter

**Connection:** Connection from top or side

**Note:** Remember to order the housing, the grille and the filter

5507.01.50	Sofdistri (top entry)	housing 3P3 (top entry)	392 x 392 x 240	305 x 305 x 66	10	0,06
5507.02.50	Sofdistri (top entry)	housing 3P6 (top entry)	697 x 392 x 240	610 x 305 x 66	15	0,11
5507.03.50	Sofdistri (top entry)	housing 6P6 (top entry)	697 x 697 x 240	610 x 610 x 66	21	0,18
5507.04.50	Sofdistri (top entry)	housing 9P6 (top entry)	697 x 1002 x 240	610 x 915 x 66	28	0,25
5507.05.50	Sofdistri (top entry)	housing 12P6 (top entry)	697 x 1307 x 240	610 x 1220 x 66	37	0,36
5507.01.12	Sofdistri (side entry)	housing 3P3 (side entry)	392 x 392 x 300	305 x 305 x 66	12	0,06
5507.02.18	Sofdistri (side entry)	housing 3P6 (side entry)	697 x 392 x 300	610 x 305 x 66	17	0,11
5507.03.41	Sofdistri (side entry)	housing 6P6 (side entry)	697 x 697 x 390	610 x 610 x 66	24	0,18
5507.04.19	Sofdistri (side entry)	housing 9P6 (side entry)	697 x 1002 x 455	610 x 915 x 66	35	0,25
5507.05.52	Sofdistri (side entry)	housing 12P6 (side entry)	697 x 1307 x 455	610 x 1220 x 66	45	0,36

*Other dimensions and arrangements available on request*

## FLANGED VERSION

**Applications:** Clean areas with supply and extract systems.

**Type:** Terminal housing for HEPA/ULPA filters.

**Construction:** Galvanised steel, fully welded seams, white epoxy paint, oven baked.

**Filter Type:** MEGALAM MD HEPA and ULPA.

**Filter Mounting:** Quick filter change using pivoting clamps fitted with compression limiter.

**Connection:** By a drilled flange.

**Note:** Remember to order the housing, the grille and the filter.

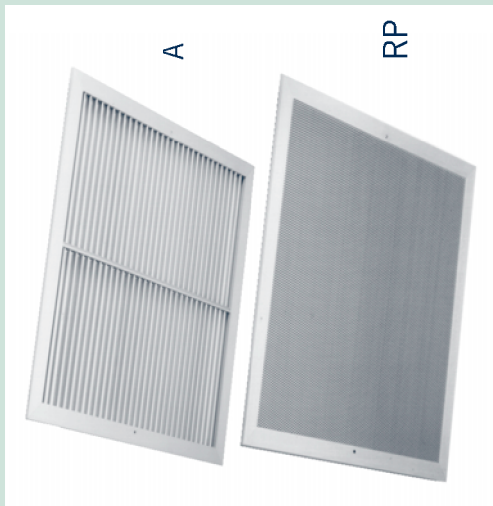
5507.50.10	Sofdistri (flanged)	housing 3P6 (flanged)	697 x 392 x 150	610 x 305 x 66	9	0,05
5507.55.10	Sofdistri (flanged)	housing 6P6 (flanged)	697 x 697 x 150	610 x 610 x 66	15	0,101

*Other dimensions and arrangements available on request*

Knowsley Park Way, Haslingden, Lancashire, BB4 4RS

Tel: +44 (0) 1706 238000, Fax: +44 (0) 1706 226736

85



Ed. Jan. 2003

## ADJUSTABLE VANE DIFFUSERS

**Applications:** Clean areas with turbulent air flows

**Type:** Sofdistri adjustable diffuser

**Construction:** Aluminum adjustable vanes

**Mounting:** Grilles attached by screw fixings

Reference	Type	Model	For filter dimensions (WxH) mm	Unit weight kg	Unit volume m³
5513.82.00	Sofdistri Grille	A : Adjustable	610 x 305	1,8	0,01
5513.83.00	Sofdistri Grille	A : Adjustable	610 x 610	3,6	0,01
5513.84.00	Sofdistri Grille	A : Adjustable	610 x 915	5,4	0,02
5513.85.00	Sofdistri Grille	A : Adjustable	610 x 1220	7,2	0,02

## PERFORATED PLATE DIFFUSERS

**Applications:** Clean areas with turbulent air flows

**Type:** Sofdistri perforated plate diffusers

**Construction:** Painted mild steel, RP: perforated overlapping plate, D: perforated flush fitting

**Mounting:** Grilles attached by screw fixings

**Note:** Open area RP: 45%, D: 35%

Reference	Type	Model	For filter dimensions (WxH) mm	Unit weight kg	Unit volume m³
5514.41.00	Sofdistri Grille	RP (overlapping)	305 x 305	2,1	0,01
5514.42.00	Sofdistri Grille	RP (overlapping)	610 x 305	3,5	0,01
5514.43.00	Sofdistri Grille	RP (overlapping)	610 x 610	5,6	0,01
5514.44.00	Sofdistri Grille	RP (overlapping)	915 x 610	7,8	0,02
5514.45.00	Sofdistri Grille	RP (overlapping)	1220 x 610	9,9	0,02
5514.22.00	Sofdistri Grille	D (flush)	610 x 305	1,7	0,01
5514.23.00	Sofdistri Grille	D (flush)	610 x 610	3,3	0,01
5514.24.00	Sofdistri Grille	D (flush)	915 x 610	5,0	0,02
5514.25.00	Sofdistri Grille	D (flush)	1220 x 610	6,6	0,02